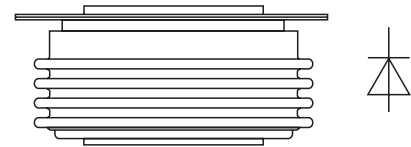


### FEATURES

- 1). Low forward voltage drop
- 2). Soft recovery
- 3). Hermetic metal cases with ceramic insulators



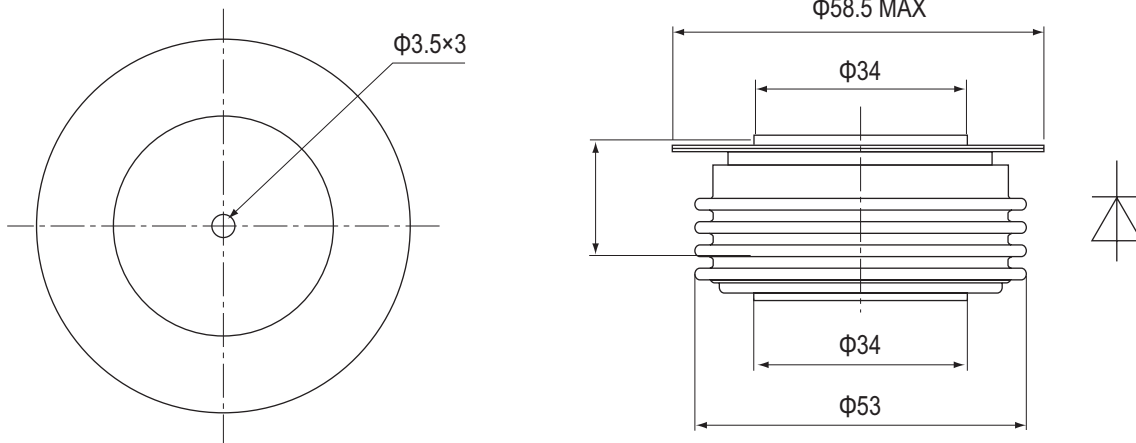
### TYPICAL APPLICATIONS

- |                                      |             |             |
|--------------------------------------|-------------|-------------|
| 1). Inverters and choppers           | $I_{F(AV)}$ | 1133A       |
| 2). AC. motor control                | $V_{RRM}$   | 1100~2000V  |
| 3). Snubber and free-wheeling diodes | $t_{rr}$    | 3.0 $\mu$ s |

### THE MAIN PARAMETERS

| SYMBOL        | CHARACTERISTIC                             | TEST CONDITIONS   | $T_j(^{\circ}C)$ | VALUE |      |              | UNIT              |
|---------------|--|---|------------------|-------|------|--------------|-------------------|
|               |  |   |                  | Min   | Type | Max          |                   |
| $I_{F(AV)}$   | Mean forward current                       | 180° half sine wave 50Hz<br>Double side cooled, $T_{hs}=55^{\circ}C$    | 150              |       |      | 1133         | A                 |
| $I_{F(AV)}$   | Mean forward current                       | 180° half sine wave 50Hz<br>Double side cooled, $T_{hs}=91^{\circ}C$    | 150              |       |      | 800          | A                 |
| $V_{RRM}$     | Repetitive peak reverse voltage            | $V_{RRM}$ tp=10ms, $V_{RSM} = V_{RRM} + 100V$                           | 150              | 1100  |      | 2000         | V                 |
| $I_{RRM}$     | Repetitive peak current                    | $V_{RM} = V_{RRM}$  | 150              |       |      | 40           | mA                |
| $I_{FSM}$     | Surge forward current                      |   |                  |       |      | 10           | KA                |
| $I^2t$        | $I^2T$ for fusing coordination             | 10ms half sine wave, $V_R = 0.6V_{RRM}$                                 | 150              |       |      | 500          | $A^2s \cdot 10^3$ |
| $V_{FO}$      | Threshold voltage                          |   | 150              |       |      | 1.51         | V                 |
| $r_F$         | Forward slop resistance                    |   |                  |       |      | 0.37         | m $\Omega$        |
| $V_{FM}$      | Peak on-state voltage                      | $I_{TM} = 2400A$ , $F = 15KN$   | 25               |       |      | 2.8          | V                 |
| $I_{rm}$      | Reverse recovery current                   |   |                  |       |      | 76           | A                 |
| $t_{rr}$      | Reverse recovery time                      | $I_{TM} = 800A$ , tp=1000 $\mu$ s,<br>-di/dt=-20A/ $\mu$ s, $V_R = 50V$ | 100              |       |      | 3.0          | $\mu$ s           |
| $Q_{rr}$      | Recovery charge                            |   |                  |       |      | 114          | $\mu$ C           |
| $R_{th(j-h)}$ | Thermal resistance<br>Junction to heatsink | At 180° sine, double side cooled<br>Clamping force 15KN                 |                  |       |      | 0.033        | $^{\circ}C / W$   |
| $F_m$         | Mounting force                             |   |                  | 10    |      | 20           | KN                |
| $T_{stg}$     | Stored temperature                         |   |                  | -40   |      | 160          | $^{\circ}C$       |
| $W_t$         | Weight                                     |   |                  |       |      | 260          | g                 |
| Size          | Package box size                           |   |                  |       |      | 95 × 95 × 50 | mm                |

**OUTLINE**



**YUEQING LIUJING RECTIFIER CO., LTD**

Sale Department: Liuqing Building, Yueqing City,  
Zhejiang Province

Add: Wanao Industrial Zone, Yueqing city,  
Zhejiang Province

Tel: 0086-577-62519692    0089-577-62519693

Fax: 0086-577-62518692

International Export: 0086-577-62571902

Technical Support: 0086-15868768965

After Service: 400-6606-086

<http://www.china-liujing.com>

<http://www.liujingdianqi.cn>

<http://www.cnrectifier.com>

<http://www.cnthyristor.com.cn>

MSN: [thristors@hotmail.com](mailto:thristors@hotmail.com)

**打造最具竞争力的电力半导体产品**

To be the most competitive Power Semiconductor  
Devices manufactory.

LIUJING reserves the right to change limits, test conditions and dimensions.

윤정은 이 칼타로그 중에 데이트, 테스트 조건, 외형사이즈에 대한 최종 해석권을 가지고 있습니다.