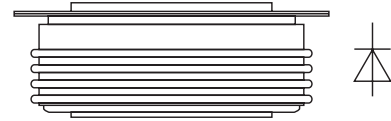


FEATURES

- 1). Low forward voltage drop
- 2). Soft recovery
- 3). Hermetic metal cases with ceramic insulators



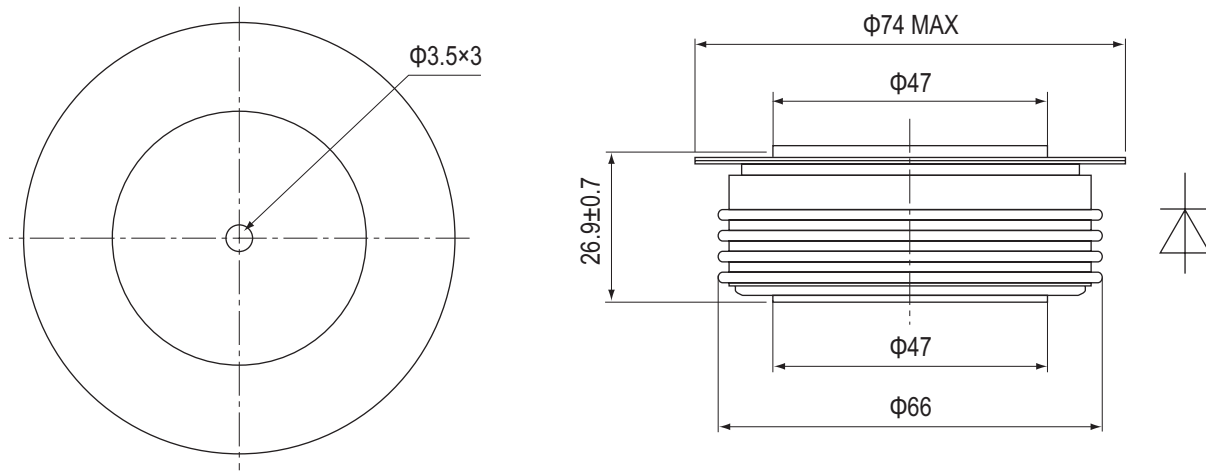
TYPICAL APPLICATIONS

- | | | |
|--------------------------------------|-------------|-------------|
| 1). Inverters and choppers | $I_{F(AV)}$ | 1547A |
| 2). AC. motor control | V_{RRM} | 1100~2000V |
| 3). Snubber and free-wheeling diodes | t_{rr} | 4.0 μ s |

THE MAIN PARAMETERS

SYMBOL	CHARACTERISTIC	TEST CONDITIONS	$T_j(^{\circ}C)$	VALUE			UNIT
				Min	Type	Max	
$I_{F(AV)}$	Mean forward current	180° half sine wave 50Hz Double side cooled, $T_{hs}=55^{\circ}C$	150			1547	A
$I_{F(AV)}$	Mean forward current	180° half sine wave 50Hz Double side cooled, $T_{hs}=84^{\circ}C$	150			1200	A
V_{RRM}	Repetitive peak reverse voltage	V_{RRM} tp=10ms, $V_{RSM} = V_{RRM} + 100V$	150	1100		2000	V
I_{RRM}	Repetitive peak current	$V_{RM} = V_{RRM}$	150			80	mA
I_{FSM}	Surge forward current					15	KA
I^2t	I^2T for fusing coordination	10ms half sine wave, $V_R = 0.6V_{RRM}$	150			1100	$A^2s \cdot 10^3$
V_{FO}	Threshold voltage		150			1.42	V
r_F	Forward slop resistance					0.36	m Ω
V_{FM}	Peak on-state voltage	$I_{TM} = 3000A$, $F = 24KN$	25			2.8	V
I_{rm}	Reverse recovery current					114	A
t_{rr}	Reverse recovery time	$I_{TM} = 1000A$, tp=1000 μ s, -di/dt=-20A/ μ s, $V_R = 50V$	100			4	μ s
Q_{rr}	Recovery charge					228	μ C
$R_{th(j-h)}$	Thermal resistance Junction to heatsink	At 180° sine, double side cooled Clamping force 24KN				0.022	$^{\circ}C / W$
F_m	Mounting force			19		26	KN
T_{stg}	Stored temperature			-40		160	$^{\circ}C$
W_t	Weight					470	g
Size	Package box size					95 × 95 × 50	mm

OUTLINE



YUEQING LIUJING RECTIFIER CO., LTD

Sale Department: Liujing Building, Yueqing City,
Zhejiang Province

Add: Wanao Industrial Zone, Yueqing city,
Zhejiang Province

Tel: 0086-577-62519692 0089-577-62519693

Fax: 0086-577-62518692

International Export: 0086-577-62571902

Technical Support: 0086-15868768965

After Service: 400-6606-086

<http://www.china-liujing.com>

<http://www.liujingdianqi.cn>

<http://www.cnrectifier.com>

<http://www.cnthyristor.com.cn>

MSN: thristors@hotmail.com

打造最具竞争力的电力半导体产品

To be the most competitive Power Semiconductor
Devices manufactory.

LIUJING reserves the right to change limits, test conditions and dimensions.

윤정은 이 칼타로그 중에 데이트, 테스트 조건, 외형사이즈에 대한 최종 해석권을 가지고 있습니다.