

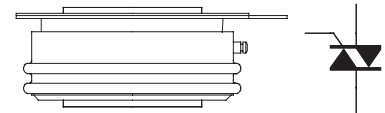
### FEATURES

- 1). Two anti-parallel thyristors on one Si-wafer
- 2). Hermetic metal cases with ceramic insulators
- 3). Capsule packages for double sided cooling

### TYPICAL APPLICATIONS

- 1). High power industrial and power transmissior
- 2). DC and AC motor control
- 3). AC controllers

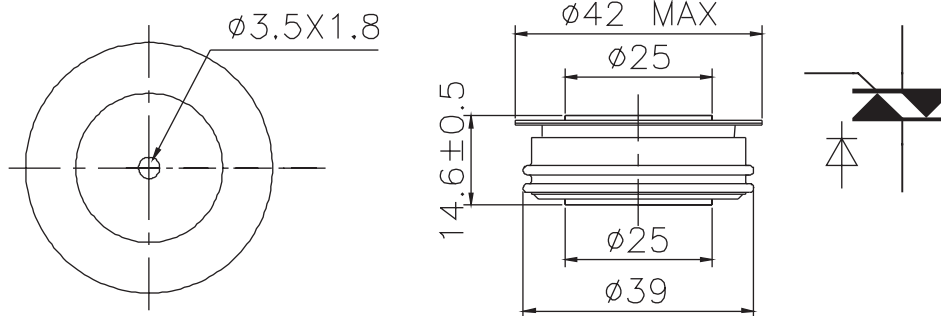
$I_{T(RMS)}$	640A
$V_{DRM}/V_{RRM}$	500~1800V
$I_{TSM}$	5.0KA
$I^2t$	125 A <sup>2</sup> s*10 <sup>3</sup>



### THE MAIN PARAMETERS

SYMBOL	CHARACTERISTIC	TEST CONDITIONS	T <sub>j</sub> (°C)	VALUE			UNIT
				Min	Type	Max	
$I_{T(RMS)}$	RMS current	50Hz sine wave Double side cooled, T <sub>hs</sub> =55°C	125			640	A
$I_{T(RMS)}$	RMS current	50Hz sine wave Double side cooled, T <sub>hs</sub> =103°C	125			300	A
$V_{DRM}$	Repetitive peak reverse voltage	$V_{DRM}$ tp=10ms, $V_{DSM} = V_{DRM} + 100V$	125	500		1800	V
$I_{DRM}$	Repetitive peak current	$V_{RM} = V_{RRM}$	125			30	mA
$I_{TSM}$	Surge on-state current	10ms half sine wave, $V_R = 0.6V_{RRM}$	125			5.0	KA
$I^2t$	I <sup>2</sup> T for fusing coordination					125	A <sup>2</sup> s*10 <sup>3</sup>
$V_{TO}$	Threshold voltage		125			0.85	V
$r_T$	On-state slop resistance					1.85	mΩ
$V_{TM}$	Peak on-state voltage	$I_{TM} = 500A, F = 7.0KN$	125			1.78	V
dv/dt	Critical rate of rise of off-state voltage	$V_{DM} = 0.67V_{DRM}$	125			50	V/μs
di/dt	Critical rate of rise of on-state current	$V_{DM} = 67\%V_{DRM}$ to 800A, Gate pulse $t_s \leq 0.5 \mu s, I_{GM} = 1.5A$ Repetitive	125			50	A/μs
$I_{GT}$	Gate trigger current			20		200	mA
$V_{GT}$	Gate trigger voltage	$V_A = 12V, I_A = 1A$	25	0.8		2.5	V
$I_H$	Holding current			20		200	mA
$R_{th(j-h)}$	Thermal resistance Junction to heatsink	double side cooled Clamping force 7.0KN				0.055	°C /W
$F_m$	Mounting force			5.3		10	KN
$T_{stg}$	Stored temperature			-40		140	°C
$W_t$	Weight				80		g
Size	Package box size			95 × 95 × 50			mm

## OUTLINE



### YUEQING LIUJING RECTIFIER CO., LTD

Sale Department: Liujing Building, Yueqing City,  
Zhejiang Province

Add: Wanao Industrial Zone, Yueqing city,  
Zhejiang Province

Tel: 0086-577-62519692    0089-577-62519693

Fax: 0086-577-62518692

International Export: 0086-577-62571902

Technical Support: 0086-15868768965

After Service: 400-6606-086

<http://www.china-liujing.com>

<http://www.liujingdianqi.cn>

<http://www.cnrectifier.com>

<http://www.cnthyristor.com.cn>

MSN: [thristors@hotmail.com](mailto:thristors@hotmail.com)

**打造最具竞争力的电力半导体产品**

To be the most competitive Power Semiconductor  
Devices manufactory.

LIUJING reserves the right to change limits, test conditions and dimensions.

윤정은 이 칼타로그 중에 데이트, 테스트 조건, 외형사이즈에 대한 최종 해석권을 가지고 있습니다.