

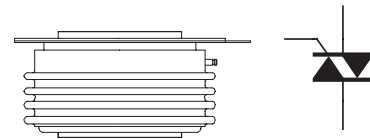
FEATURES

- 1). Two anti-parallel thyristors on one Si-wafer
- 2). Hermetic metal cases with ceramic insulators
- 3). Capsule packages for double sided cooling

TYPICAL APPLICATIONS

- 1). High power industrial and power transmissior
- 2). DC and AC motor control
- 3). AC controllers

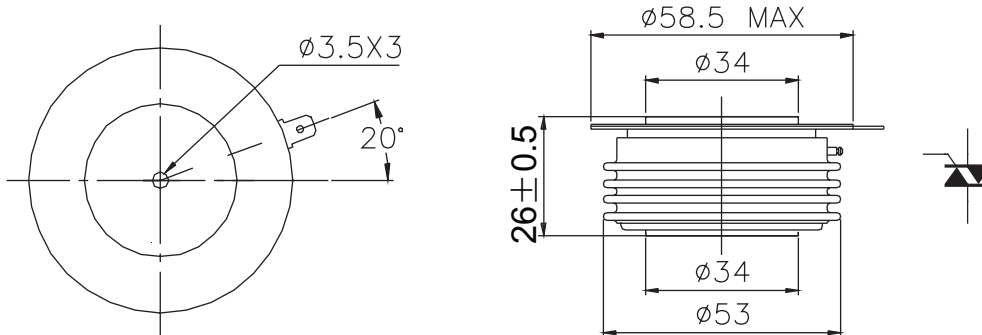
$I_{T(RMS)}$	1080A
V_{DRM}/V_{RRM}	500~1800V
I_{TSM}	7.6 KA
I^2t	288 A ² s*10 ³



THE MAIN PARAMETERS

SYMBOL	CHARACTERISTIC	TEST CONDITIONS	T _j (°C)	VALUE			UNIT
				Min	Type	Max	
$I_{T(RMS)}$	RMS current	50Hz sine wave Double side cooled, T _{hs} =55°C	125			1080	A
$I_{T(RMS)}$	RMS current	50Hz sine wave Double side cooled, T _{hs} =96°C	125			600	A
V_{DRM}	Repetitive peak reverse voltage	V_{DRM} tp=10ms, $V_{DSM} = V_{DRM} + 100V$	125	500		1800	V
I_{DRM}	Repetitive peak current	$V_{RM} = V_{RRM}$	125			40	mA
I_{TSM}	Surge on-state current	10ms half sine wave, $V_R = 0.6V_{RRM}$	125			7.6	KA
I^2t	I ² T for fusing coordination					288	A ² s*10 ³
V_{TO}	Threshold voltage		125			0.84	V
r_T	On-state slop resistance					1.01	mΩ
V_{TM}	Peak on-state voltage	$I_{TM} = 900A$, F=15KN	125			1.75	V
dv/dt	Critical rate of rise of off-state voltage	$V_{DM} = 0.67V_{DRM}$	125			50	V/μs
di/dt	Critical rate of rise of on-state current	$V_{DM} = 67\%V_{DRM}$ to 1000A, Gate pulse t _s ≤ 0.5 μs I _{GM} = 1.5A Repetitive	125			50	A/μs
I_{GT}	Gate trigger current			20		300	mA
V_{GT}	Gate trigger voltage	$V_A = 12V$, $I_A = 1A$	25	0.8		3.0	V
I_H	Holding current			20		300	mA
$R_{th(j-h)}$	Thermal resistance Junction to heatsink	double side cooled Clamping force 15KN				0.035	°C /W
F_m	Mounting force			5.3		20	KN
T_{stg}	Stored temperature			-40		140	°C
W_t	Weight				260		g
Size	Package box size			95 × 95 × 50			mm

OUTLINE



YUEQING LIUJING RECTIFIER CO., LTD

Sale Department: Liujing Building, Yueqing City,
Zhejiang Province

Add: Wanao Industrial Zone, Yueqing city,
Zhejiang Province

Tel: 0086-577-62519692 0089-577-62519693

Fax: 0086-577-62518692

International Export: 0086-577-62571902

Technical Support: 0086-15868768965

After Service: 400-6606-086

<http://www.china-liujing.com>

<http://www.liujingdianqi.cn>

<http://www.cnrectifier.com>

<http://www.cnthyristor.com.cn>

MSN: thristors@hotmail.com

打造最具竞争力的电力半导体产品

To be the most competitive Power Semiconductor
Devices manufactory.

LIUJING reserves the right to change limits, test conditions and dimensions.

윤정은 이 칼타로그 중에 데이트, 테스트 조건, 외형사이즈에 대한 최종 해석권을 가지고 있습니다.